

NEWTON S

Stabilised Remote Head

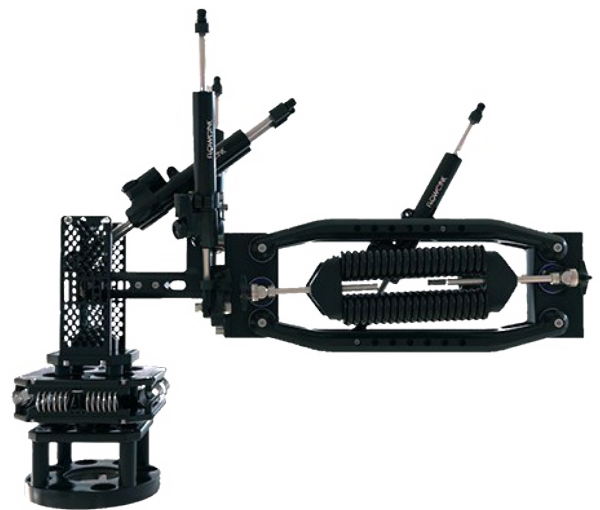


The Newton S is a 3 axis high performance stabilised remote head. Its delivers perfect shots whilst being deployed in a wide range of applications.

- Option to add film gears and control through the system
- Hot swappable battery operated
- Built in broadcast lens protocol allows control of zoom and focus without the need for extra gearing.
- Boasting wireless control between the head and Dominion controller for up to 2km.
- Slip ring feature allows the head to spin continuously without getting tangled up.
- Thirty degrees of roll and capable of operating under a 80mph head wind.

The Black Arm is a 3-axis dampening system.

- additional vibration mount for stabilising roll and tilt errors as well as vertical motion and vibrations.
- Ideal addition for any kind of car shoot that uses the Newton S.
- The arm hard mounts to standard speed-rail and could be placed literally anywhere: to the front of the car, low to the ground; on top of the car, high up or even on an ATV to go off-road.
- The Tranquilliser isolator reduces vibrations from lowest possible frequency range and maximise motor torque without getting into self oscillation, which is a common problem with wire rope isolators.



Newton S runs on 2.4 GHZ wireless signal for up to 2km. I can also be run through ethernet protocol allowing third part wireless transfer on 5.8 GHZ.



Luna operates a strict health and safety policy when mounting systems to moving objects/vehicles. Only Luna Technician or an approved grip are able to sign off a rig before it moves. Regular checks are taken throughout its use and safety bonds are used whenever possible.